

ADAM OTLEWSKI

HAND-DYED LEATHER COLORS

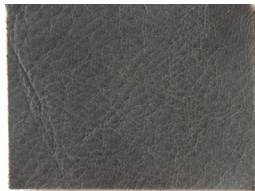
All leather components are individually cut natural cow hide and hand-dyed at the time of fabrication; some variance is to be expected in color and leather grain.



Ash



Graphite



Lead



Sable



Charcoal



Blush



Putty



Mustard



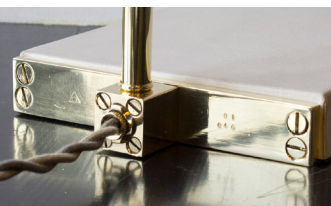
Gochujang



Tennis

METAL FINISHES

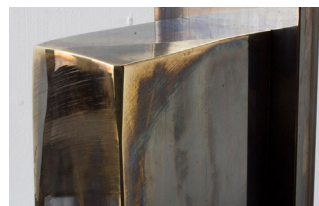
All metal finishes are hand-applied living finishes and will patina and change for the better with time. Slight variations in tone and appearance are to be expected.



Polished unlacquered brass (PUB)



Polished nickel plated brass (NPB)



"Smoke" acid patinated brass (SMK)



Dark patinated brass (DPB)



Matte blackened brass (MBB)

GOAT PARCHMENT

Goatskin parchment casts beautiful light and mimics the surface of the moon. Hides are natural and vary in texture and tone.



ADAM OTLEWSKI

GOATSKIN PARCHMENT SHADE

Shades are made from genuine goatskin parchment, hand-selected for each lamp for its natural texture, pattern and color. Reminiscent of the lunar surface, its superior quality of light is unlike paper of any kind. Variations in pattern and texture are to be expected as each skin is unique. Shade construction is unlined, utilizing a single layer of parchment for optimal light transmission and may have a slight bow or curvature of the surface. This is a natural characteristic of the grain of the animal hide as well as the hand stretching and tanning process.

All skins used are ethically sourced from a renowned artisanal workshop based in upstate New York, utilizing only hides from animals that died naturally or were raised for food. No toxic or carcinogenic chemicals are used in their traditional tanning and processing methods.

Parchment is a supremely historic material, its beautiful surface treasured over the centuries for bookbinding, manuscripts, and illuminations. Goatskin is susceptible to high humidity and may warp over time if stored out of a climate controlled environment.



ADAM OTLEWSKI

GOATSKIN PARCHMENT TRIM OPTIONS



Stitched glazed cotton cord



Ultrasuede Binding



ADAM OTLEWSKI

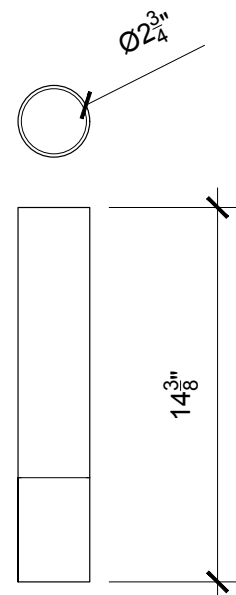


BV-01 BRANCH VASE

Solid machined brass, includes glass watertight insert. The heft of the solid brass ingot base is sturdy enough to hold the cantilevered load of a large arrangement with ease.

Overall 14-3/8"H x 2-3/4" Dia.
Glass Insert 7-3/4"H x 2-3/8" Dia.

All material finishes are living finishes: they will change and patina for the better with time and use. Every product is individually hand-made to order and slotted in frequent production batches; lead time is determined once order is confirmed.



ADAM OTLEWSKI

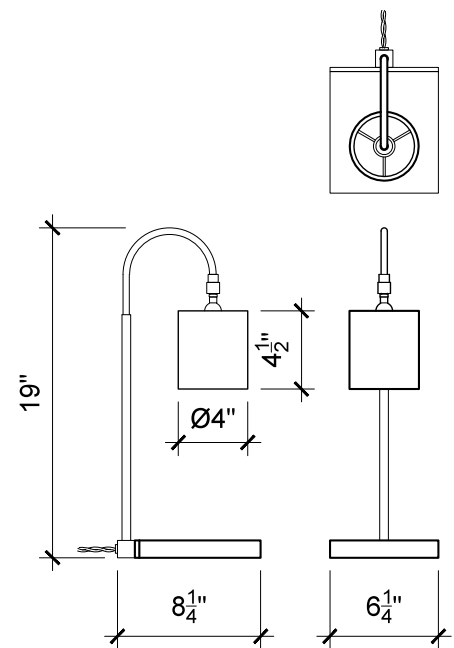


SERIES 01 DESK LAMP

Solid machined brass, hand-dyed and waxed leather wrapped wood, soft unstructured pivoting leather shade, hand-dyed twisted cotton cord. The opaque nature of the leather shade creates an overall effect of compact directed lighting well suited for small spaces, on desktops, credenzas, shelves, etc.

19"H x 8-1/4"D x 6-1/4"W

All material finishes are living finishes: they will change and patina for the better with time and use. Every product is individually hand-made to order and slotted in frequent production batches; lead time is determined once order is confirmed.
Recommended bulb "LED 60 Watt Equivalent G16 Globe 2700k Dimmable" included. LED Bulb only.
E26 socket with single turn key.
Not suitable for damp locations.
UL certification, as well as custom sizing and configurations are available upon request.



ADAM OTLEWSKI



SERIES 01 FLOOR LAMP

Solid machined brass, hand-dyed and waxed leather wrapped wood, soft unstructured pivoting leather shade, hand-dyed twisted cotton cord. The opaque nature of the leather shade creates an overall effect of compact ambient lighting that can be directed well for reading next to a chair or sofa.

51"H x 8"W x 13-1/4"D

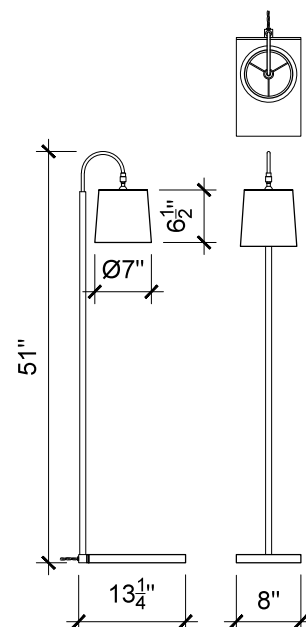
All material finishes are living finishes: they will change and patina for the better with time and use. Every product is individually hand-made to order and slotted in frequent production batches; lead time is determined once order is confirmed.

Recommended bulb "LED 60 Watt Equivalent G18-1/2 Globe 2700k Dimmable" included. LED bulb only.

E26 socket with single turn key.

Not suitable for damp locations.

UL certification, as well as custom sizing and configurations are available upon request.



ADAM OTLEWSKI

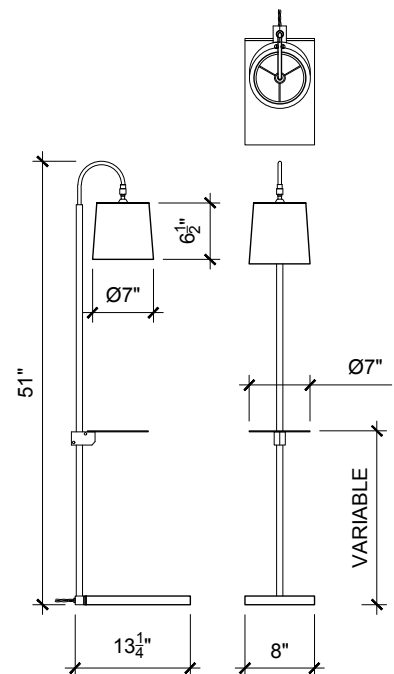


SERIES 01 FLOOR LAMP WITH DRINK TRAY

Solid machined brass, hand-dyed and waxed leather wrapped wood, soft unstructured pivoting leather shade, hand-dyed twisted cotton cord. The opaque nature of the leather shade creates an overall effect of compact ambient lighting that can be directed well for reading next to a chair or sofa. Drink tray height is adjustable.

51"H x 8"W x 13-1/4"D

All material finishes are living finishes: they will change and patina for the better with time and use. Every product is individually hand-made to order and slotted in frequent production batches; lead time is determined once order is confirmed. Recommended bulb "LED 60 Watt Equivalent G18-1/2 Globe 2700k Dimmable" included. LED bulb only. E26 socket with single turn key. Not suitable for damp locations. UL certification, as well as custom sizing and configurations are available upon request.



ADAM OTLEWSKI

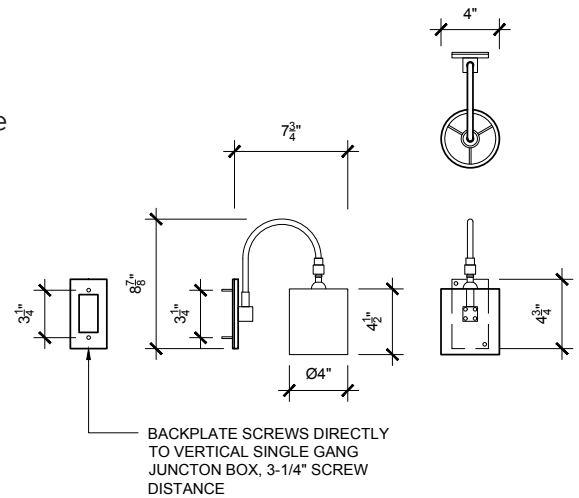


SERIES 01 SMALL SCONCE

Solid machined brass with soft, unstructured hand-dyed pivoting leather shade. Also available with brass toggle switch on backplate or corded plug-in version. The opaque nature of the leather shade creates an overall effect of compact directed lighting well-suited for reading, corridors, and small spaces. *Also available with backplate switch or corded with plug.*

8-7/8"H x 7-3/4"D x 4"W

Mounts only to a standard vertical single gang junction box (screw distance 3-1/4"). To be installed only by a licensed electrician. All material finishes are living finishes: they will change and patina for the better with time and use. Every product is individually hand-made to order and slotted in frequent production batches; lead time is determined once order is confirmed. Recommended bulb "LED 60 Watt Equivalent G16 Globe 2700k Dimmable" included. LED Bulb only. E26 keyless socket. Not suitable for damp locations. UL certification, as well as custom sizing and configurations are available upon request.



ADAM OTLEWSKI



SERIES 01 SMALL SCONCE WITH ROUND PLATE

Solid machined brass with soft, unstructured hand-dyed pivoting leather shade. Also available with brass toggle switch on backplate or corded plug-in version. The opaque nature of the leather shade creates an overall effect of compact directed lighting well-suited for reading, corridors, and small spaces.

9"H x 7-3/4"D x 4"W

Mounts only to standard junction boxes with 2-3/4" or 3-1/2" mounting screw distance. To be installed only by a licensed electrician.

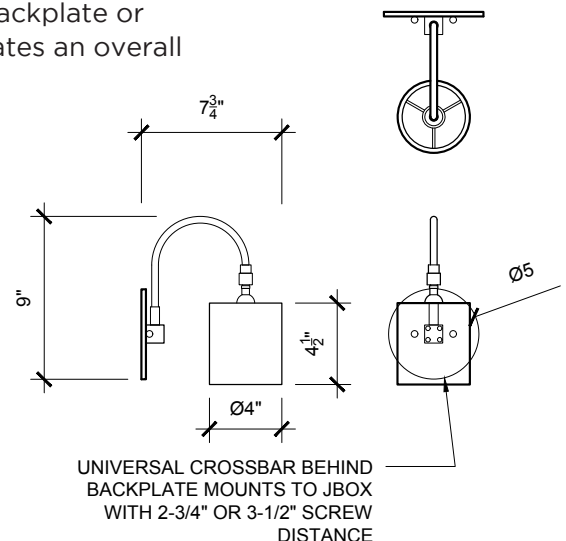
All material finishes are living finishes: they will change and patina for the better with time and use. Every product is individually hand-made to order and slotted in frequent production batches; lead time is determined once order is confirmed.

Recommended bulb "LED 60 Watt Equivalent G16 Globe 2700k Dimmable" included. LED Bulb only.

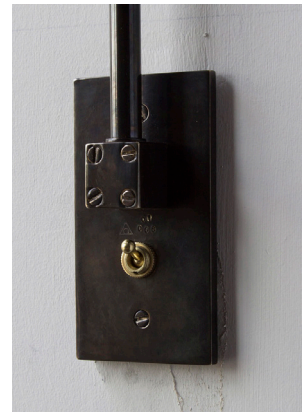
E26 keyless socket.

Not suitable for damp locations.

UL certification, as well as custom sizing and configurations are available upon request.



ADAM OTLEWSKI



SERIES 01 LARGE SCONCE

Solid machined brass with soft, unstructured hand-dyed pivoting leather shade. Also available with brass toggle switch on backplate or corded plug-in version. The opaque nature of the leather shade creates an overall effect of compact directed lighting well-suited for libraries and corridors, and the adjustable shade lends it to bedside reading.

Also available with backplate switch or corded with plug.

15-7/8"H x 8-3/4"D x 6"W

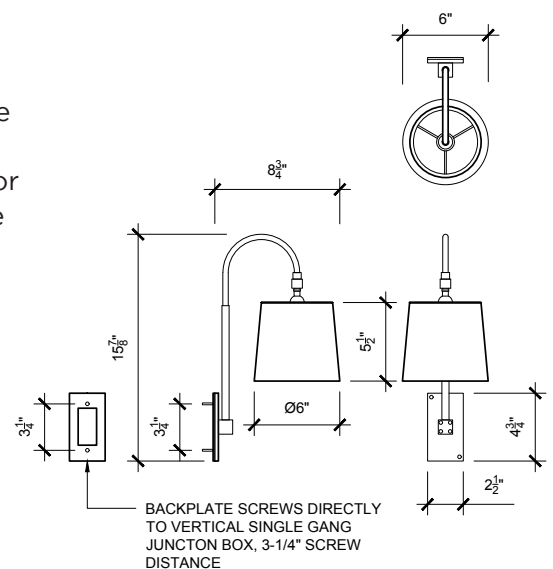
Mounts only to a standard vertical single gang junction box (screw distance 3-1/4"). To be installed only by a licensed electrician. All material finishes are living finishes: they will change and patina for the better with time and use. Every product is individually hand-made to order and slotted in frequent production batches; lead time is determined once order is confirmed.

Recommended bulb "LED 60 Watt Equivalent G16 Globe 2700k Dimmable" included. LED Bulb only. .

E26 keyless socket.

Not suitable for damp locations.

UL certification, as well as custom sizing and configurations are available upon request.



ADAM OTLEWSKI



SERIES 01 LARGE SCONCE WITH ROUND PLATE

Solid machined brass with soft, unstructured hand-dyed pivoting leather shade. Also available with brass toggle switch on backplate or corded plug-in version. The opaque nature of the leather shade creates an overall effect of compact directed lighting well-suited for libraries and corridors, and the adjustable shade lends it to bedside reading.

16"H x 8-3/4"D x 6"W

Mounts only to standard junction boxes with 2-3/4" or 3-1/2" mounting screw distance. To be installed only by a licensed electrician.

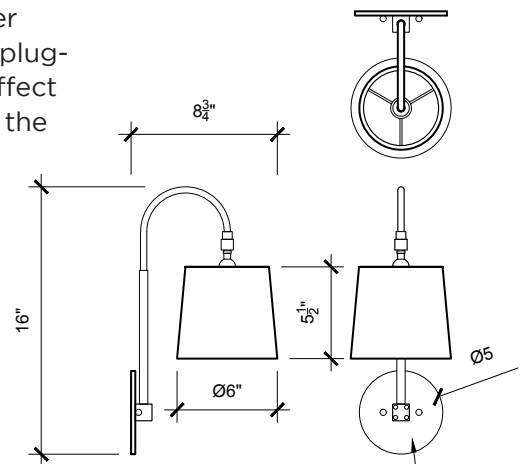
All material finishes are living finishes: they will change and patina for the better with time and use. Every product is individually hand-made to order and slotted in frequent production batches; lead time is determined once order is confirmed.

Recommended bulb "LED 60 Watt Equivalent G16 Globe 2700k Dimmable" included. LED Bulb only.

E26 keyless socket.

Not suitable for damp locations.

UL certification, as well as custom sizing and configurations are available upon request.



UNIVERSAL CROSSBAR BEHIND
BACKPLATE MOUNTS TO JBOX
WITH 2-3/4" OR 3-1/2" SCREW

ADAM OTLEWSKI



SERIES 01 UPRIGHT SCONCE

Solid machined brass with soft, unstructured hand-dyed leather shade. The opaque nature of the leather shade creates an overall effect of compact ambient lighting well suited for libraries, corridors, dining rooms, etc.

Also available as corded with plug.

15"H x 8-3/4"D x 6"W

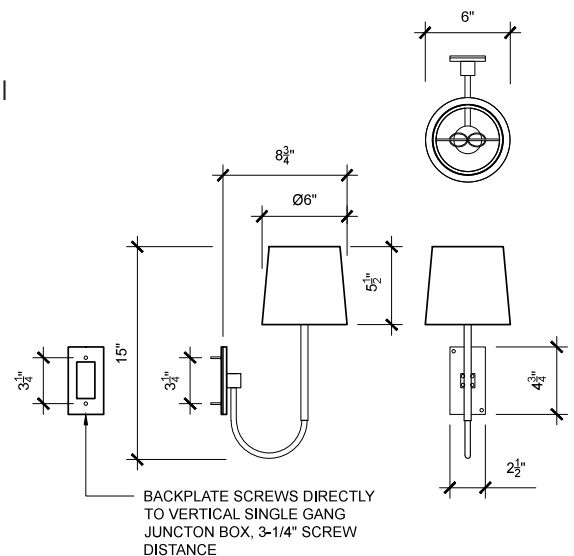
Mounts only to a standard vertical single gang junction box (screw distance 3-1/4"). To be installed only by a licensed electrician. All material finishes are living finishes: they will change and patina for the better with time and use. Every product is individually hand-made to order and slotted in frequent production batches; lead time is determined once order is confirmed.

Recommended bulb "LED 40 Watt Equivalent E26 Torpedo 2700k Dimmable" included. LED bulb only.

E26 keyless socket.

Not suitable for damp locations.

UL certification, as well as custom sizing and configurations are available upon request.



ADAM OTLEWSKI

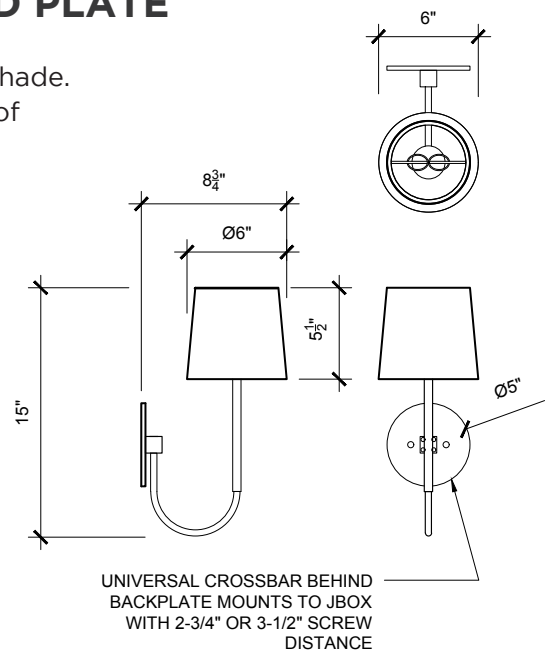
IMAGE COMING SOON

SERIES 01 UPRIGHT SCONCE WITH ROUND PLATE

Solid machined brass with soft, unstructured hand-dyed leather shade. The opaque nature of the leather shade creates an overall effect of compact ambient lighting well suited for libraries, corridors, dining rooms, etc.

15"H x 8-3/4"D x 6"W

Mounts to round junction boxes with 2-3/4" or 3-1/2" screw distance. To be installed only by a licensed electrician. All material finishes are living finishes: they will change and patina for the better with time and use. Every product is individually hand-made to order and slotted in frequent production batches; lead time is determined once order is confirmed. Recommended bulb "LED 40 Watt Equivalent E26 Torpedo 2700k Dimmable" included. LED bulb only. E26 keyless socket. Not suitable for damp locations. UL certification, as well as custom sizing and configurations are available upon request.



ADAM OTLEWSKI



SERIES 01 PENDANT

Solid machined brass, soft unstructured hand-dyed waxed leather shade, and hand-dyed braided cotton cord. The opaque nature of the leather shade creates an overall effect of compact directed lighting well-suited for small areas and desks. Hanging length adjustable from 22" to 76".

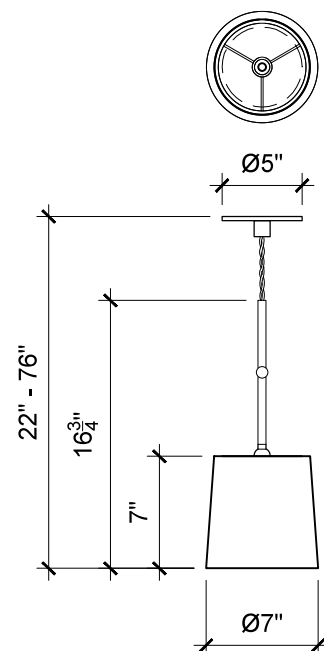
16-3/4"H (stem and shade) x 7" Diameter

Mounts to any standard 4" ceiling junction box, crossbar included. To be installed only by a licensed electrician.

All material finishes are living finishes: they will change and patina for the better with time and use. Every product is individually hand-made to order and slotted in frequent production batches; lead time is determined once order is confirmed. Recommended bulb "LED 60 Watt Equivalent G18-1/2 Globe 2700k Dimmable" included. LED bulb only. E26 keyless socket.

Not suitable for damp locations.

UL certification, as well as custom sizing and configurations are available upon request.



ADAM OTLEWSKI



SERIES 01 DOWNWARD ELECTROLIER

Solid machined brass, soft hand-dyed waxed leather shades, patinated copper tension wire with fabric cord. The opaque nature of leather creates an overall effect of directed ambient lighting well suited for over tables and dining areas. Hanging length variable, specified at the time of order.

17"H x 19" Overall Dia., Variable length

Mounts to any standard 4" ceiling junction box, crossbar included. To be installed only by a licensed electrician.

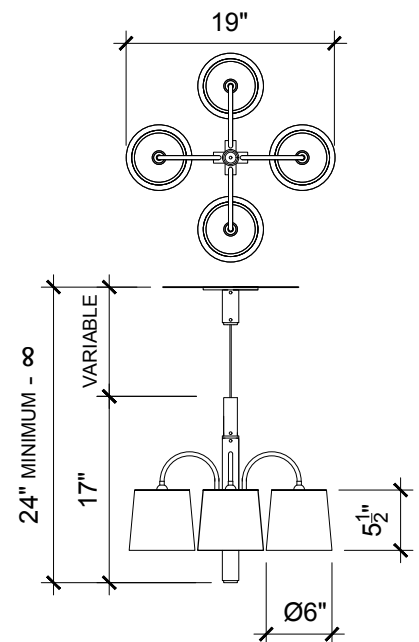
All material finishes are living finishes: they will change and patina for the better with time and use. Every product is individually hand-made to order and slotted in frequent production batches; lead time is determined once order is confirmed.

Recommended bulb "LED 60 Watt Equivalent G16 Globe 2700k Dimmable" included. LED Bulb only.

QTY 4 E26 keyless sockets.

Not suitable for damp locations.

UL certification, as well as custom sizing and configurations are available upon request.



ADAM OTLEWSKI



SERIES 01 UPRIGHT ELECTROLIER

Solid machined brass, soft hand-dyed waxed leather shades, patinated copper tension wire with fabric cord. The opaque nature of leather creates an overall effect of directed ambient lighting well suited for over tables and dining areas. Hanging length variable, specified at the time of order.

17"H x 19" Overall Dia., Variable length

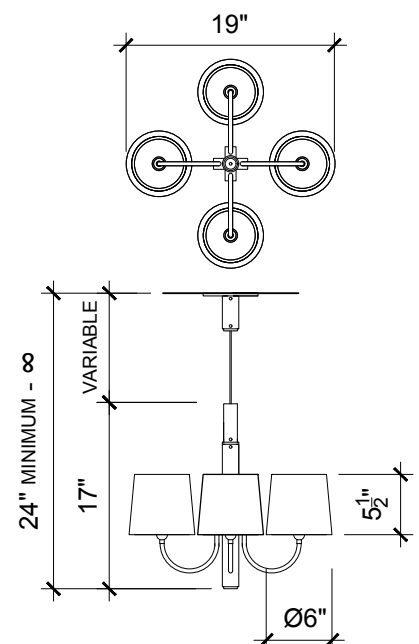
Mounts to any standard 4" ceiling junction box, crossbar included. To be installed only by a licensed electrician.

All material finishes are living finishes: they will change and patina for the better with time and use. Every product is individually hand-made to order and slotted in frequent production batches; lead time is determined once order is confirmed. Recommended bulb "LED 60 Watt Equivalent G16 Globe 2700k Dimmable" included. LED Bulb only.

QTY 4 E26 keyless sockets.

Not suitable for damp locations.

UL certification, as well as custom sizing and configurations are available upon request.



ADAM OTLEWSKI



SERIES 02 TABLE LAMP

Solid machined brass, hand-stitched goatskin parchment shade, with hand-dyed braided cotton cord. Goatskin parchment is an excellent diffuser of light and is naturally figured and textured, similar to the surface of the moon. Base is lathe turned from a heavy solid ingot of brass for stability, machined flush into the cylindrical housing. Base can be lifted off the solid ingot revealing a secret storage location.

18"H x 14"Diameter

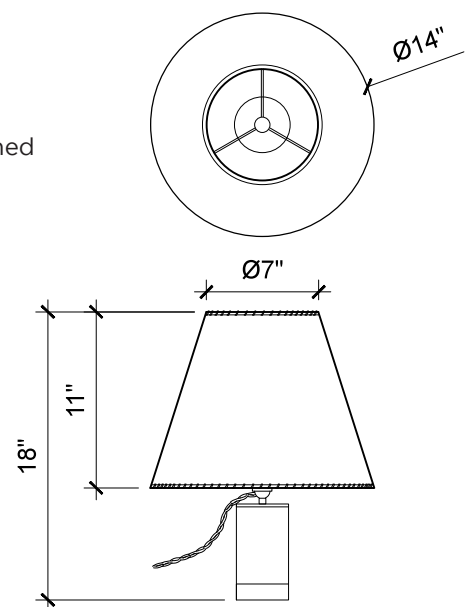
All material finishes are living finishes: they will change and patina for the better with time and use. Every product is individually hand-made to order and slotted in frequent production batches; lead time is determined once order is confirmed.

Recommended bulb "LED 60 Watt Equivalent G18-1/2 Globe 2700k Dimmable" included. LED bulb only.

E26 socket with single turn key.

Not suitable for damp locations.

UL certification, as well as custom sizing and configurations are available upon request.



ADAM OTLEWSKI

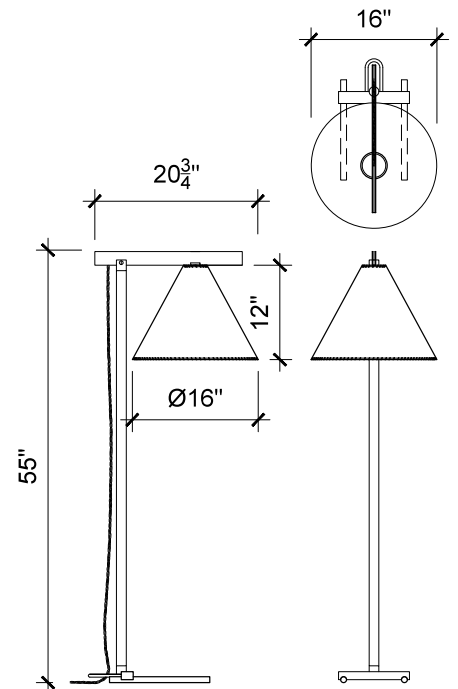


SERIES 02 FLOOR LAMP

Solid machined brass, handstitched goatskin parchment shade, with hand-dyed braided cotton cord. Goatskin parchment is an excellent diffuser of light and is naturally figured and textured, similar to the surface of the moon. Shade arm can be pivoted in any direction. Meticulously crafted with interlocking machined-to-fit components with a strong geometric presence.

55"H x 20-3/4"D x 16"W

All material finishes are living finishes: they will change and patina over time and use. Every product is individually hand-made to order and slotted in frequent production batches; lead time is determined once order is confirmed.
Recommended bulb "LED 60 Watt Equivalent G18-1/2 Globe 2700k Dimmable" included. LED bulb only.
E26 keyless socket with foot switch.
Not suitable for damp locations.
UL certification, as well as custom sizing and configurations are available upon request.



ADAM OTLEWSKI

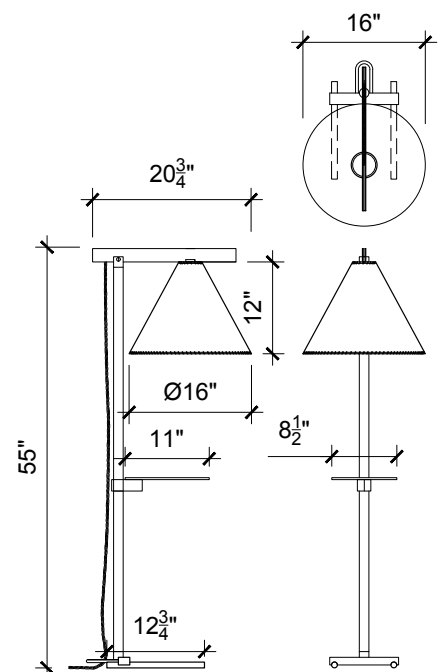


SERIES 02 FLOOR LAMP WITH LEATHER-WRAPPED DRINK TRAY

Solid machined brass, handstitched goatskin parchment shade, with hand-dyed braided cotton cord. Goatskin parchment is an excellent diffuser of light and is naturally figured and textured, similar to the surface of the moon. Shade arm can be pivoted in any direction. Meticulously crafted with interlocking machined-to-fit components with a strong geometric presence. Leather-wrapped hand-dyed leather drink tray is height adjustable.

55"H x 20-3/4"D x 16"W, Drink tray 11" x 8.5" Height adjustable

All material finishes are living finishes: they will change and patina for the better with time and use. Every product is individually hand-made to order and slotted in frequent production batches; lead time is determined once order is confirmed.
Recommended bulb "LED 60 Watt Equivalent G18-1/2 Globe 2700k Dimmable" included. LED bulb only.
E26 keyless socket with cord switch.
Not suitable for damp locations.
UL certification, as well as custom sizing and configurations are available upon request.



ADAM OTLEWSKI



SERIES 02 SMALL SCONCE

Solid machined brass, hand-stitched goatskin parchment shade. Goatskin parchment is an excellent diffuser of light and is naturally figured and textured, similar to the surface of the moon. Sconce is reversible at time of installation and can be installed with shade facing up or facing down.

Also available as corded with plug.

6-5/8"H x 6"D X 5"W, Shade 5" dia. x 5"H

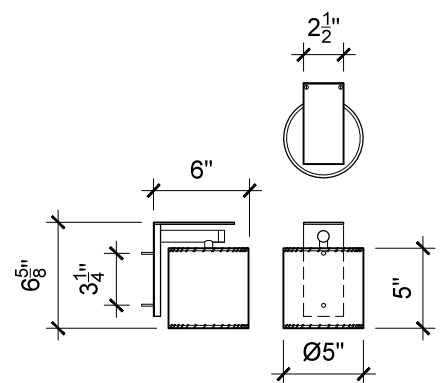
Mounts only to a standard vertical single gang junction box (screw distance 3-1/4"). To be installed only by a licensed electrician. All material finishes are living finishes: they will change and patina for the better with time and use. Every product is individually hand-made to order and slotted in frequent production batches; lead time is determined once order is confirmed.

Recommended bulb "LED 60 Watt Equivalent G16 Globe 2700k Dimmable" included. LED Bulb only.

E26 keyless socket.

Not suitable for damp locations.

UL certification, as well as custom sizing and configurations are available upon request.



ADAM OTLEWSKI



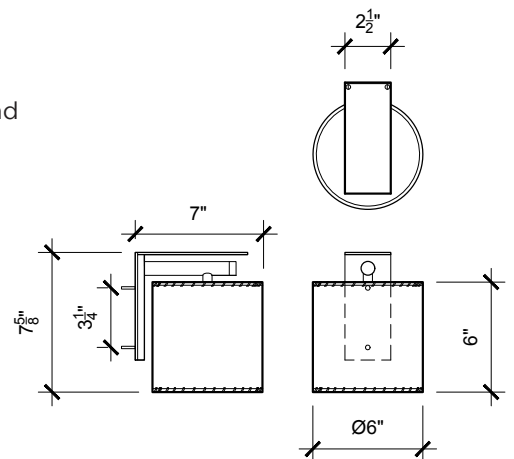
SERIES 02 LARGE SCONCE

Solid machined brass, hand-stitched goatskin parchment shade. Goatskin parchment is an excellent diffuser of light and is naturally figured and textured, similar to the surface of the moon. Sconce is reversible at time of installation and can be installed with shade facing up or facing down.

Also available as corded with plug.

8-1/8"H x 7"D X 6"W, Shade 6" dia. x 6-1/2"H

Mounts only to a standard vertical single gang junction box (screw distance 3-1/4"). To be installed only by a licensed electrician. All material finishes are living finishes: they will change and patina for the better with time and use. Every product is individually hand-made to order and slotted in frequent production batches; lead time is determined once order is confirmed. Recommended bulb "LED 60 Watt Equivalent G16 Globe 2700k Dimmable" included. LED Bulb only. E26 keyless socket. Not suitable for damp locations. UL certification, as well as custom sizing and configurations are available upon request.



ADAM OTLEWSKI



SERIES 02 SMALL FLUSH MOUNT

Solid machined brass, hand-stitched goatskin parchment shade with diffuser. Goatskin parchment is an excellent diffuser of light and is naturally figured and textured, similar to the surface of the moon.

7-3/4" H +/-, Shade 6" dia. x 6"H

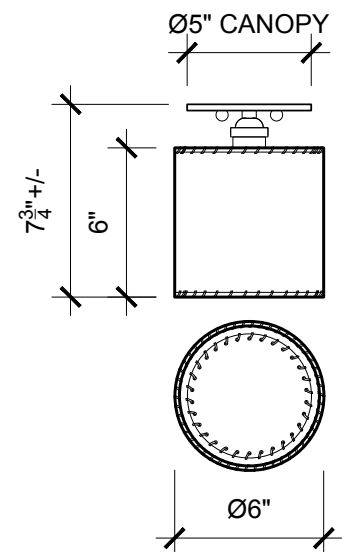
Mounts only to standard junction boxes with either 2-3/4" or 3-1/2" mounting screw distance. To be installed only by a licensed electrician. All material finishes are living finishes: they will change and patina for the better with time and use. Every product is individually hand-made to order and slotted in frequent production batches; lead time is determined once order is confirmed.

Recommended bulb "LED 100 Watt Equivalent 2700k Dimmable" included. LED bulb only.

E26 keyless socket.

Not suitable for damp locations.

UL certification, as well as custom sizing and configurations are available upon request.



ADAM OTLEWSKI



SERIES 02 LARGE FLUSH MOUNT

Solid machined brass, hand-stitched goatskin parchment shade with diffuser. Goatskin parchment is an excellent diffuser of light and is naturally figured and textured, similar to the surface of the moon.

7-3/4"H, Shade 12" dia. x 6"H

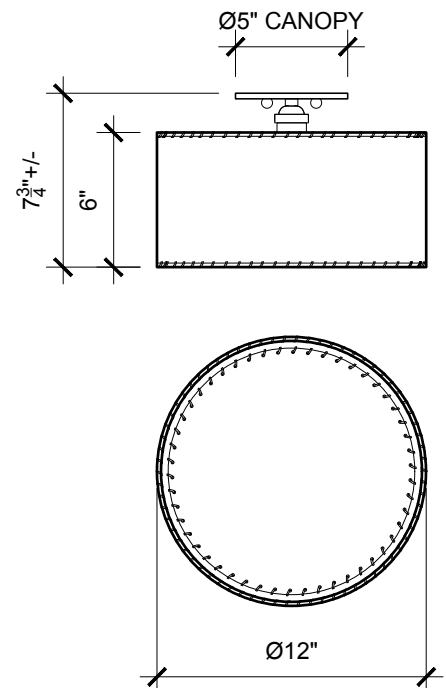
Mounts only to standard junction boxes with either 2-3/4" or 3-1/2" mounting screw distance. To be installed only by a licensed electrician. All material finishes are living finishes: they will change and patina for the better with time and use. Every product is individually hand-made to order and slotted in frequent production batches; lead time is determined once order is confirmed.

Recommended bulb "LED 100 Watt Equivalent 2700k Dimmable" included. LED bulb only.

E26 keyless socket.

Not suitable for damp locations.

UL certification, as well as custom sizing and configurations are available upon request.



ADAM OTLEWSKI



SERIES 02 PENDANT

Solid machined brass, hand-stitched goatskin parchment shade with diffuser. Goatskin parchment is an excellent diffuser of light and is naturally figured and textured, similar to the surface of the moon.

Shade 16" dia. x 12"H, Variable length

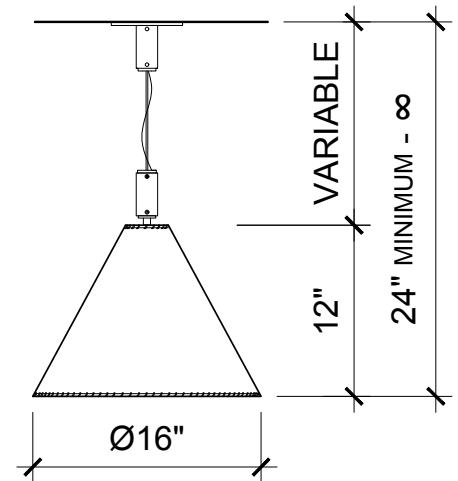
Mounts only to standard junction boxes with either 2-3/4" or 3-1/2" mounting screw distance. To be installed only by a licensed electrician. All material finishes are living finishes: they will change and patina for the better with time and use. Every product is individually hand-made to order and slotted in frequent production batches; lead time is determined once order is confirmed.

Recommended bulb "LED 100 Watt Equivalent 2700k Dimmable" included. LED bulb only.

E26 keyless socket.

Not suitable for damp locations.

UL certification, as well as custom sizing and configurations are available upon request.



ADAM OTLEWSKI

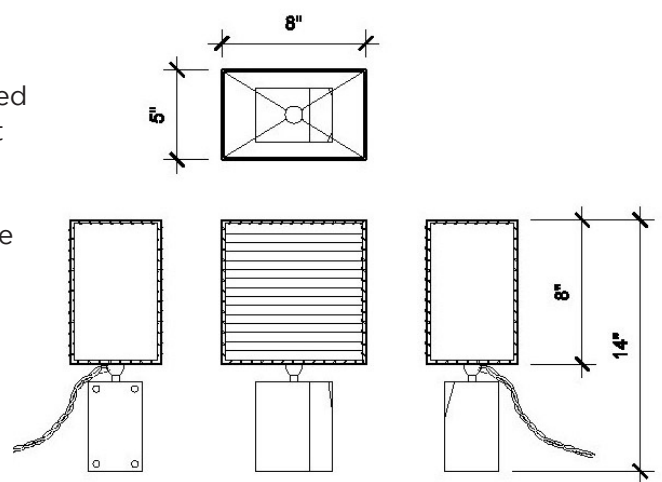


SERIES 03 TABLE LAMP

Sculpted solid brass in “smoke” acid patinated finish, machined and mechanically fastened. handstitched goatskin parchment shade, with hand-dyed braided cotton cord. Goatskin parchment is an excellent diffuser of light and is naturally figured and textured, similar to the surface of the moon. Base is hand sculpted from a solid ingot of brass. Petite in size for a desk or a small end table.

14”H x 5”D x 8” W

All material finishes are living finishes: they will change and patina for the better with time and use. Every product is individually hand-made to order and slotted in frequent production batches; lead time is determined once order is confirmed.
Recommended bulb LED 60 Watt Equivalent G16 Globe 2700k Dimmable” included. LED Bulb only.
E26 socket with single turn key.
Not suitable for damp locations.
UL certification, as well as custom sizing and configurations are available upon request.



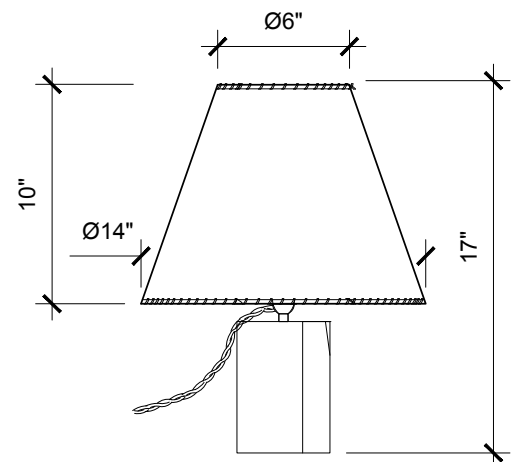
ADAM OTLEWSKI



SERIES 03 TABLE LAMP WITH ROUND SHADE

Sculpted solid brass in “smoke” acid patinated finish, machined and mechanically fastened. handstitched goatskin parchment shade, with hand-dyed braided cotton cord. Goatskin parchment is an excellent diffuser of light and is naturally figured and textured, similar to the surface of the moon. Base is hand sculpted from a solid ingot of brass. Slightly larger in scale compared to the rectangular shade version. 17”H x 14”D, Shade 14” Dia. x 10”H

All material finishes are living finishes: they will change and patina for the better with time and use. Every product is individually hand-made to order and slotted in frequent production batches; lead time is determined once order is confirmed.
Recommended bulb “LED 40 Watt Equivalent G16 Globe 2700k Dimmable” included. LED bulb only.
E26 socket with single turn key.
Not suitable for damp locations.
UL certification, as well as custom sizing and configurations are available upon request.



ADAM OTLEWSKI

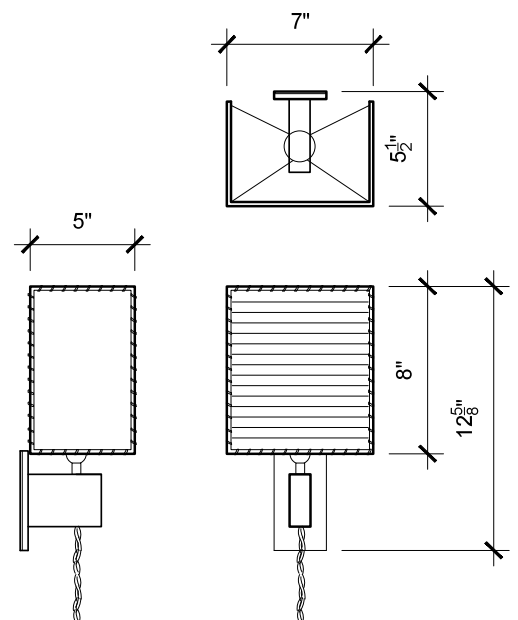


SERIES 03 SCONCE

Sculpted solid brass in a “smoke” acid patinated finish, machined and mechanically fastened. Goatskin parchment shade with accordion-folded face and hand stitched edges. Hand-dyed braided cotton cord. Goatskin parchment is an excellent diffuser of light and is naturally figured and textured, similar to the surface of the moon. *Also available hardwired.*

12-5/8”H x 5-1/2”D x 7” W

Mounts only to a standard vertical single gang junction box (screw distance 3-1/4”). To be installed only by a licensed electrician. All material finishes are living finishes: they will change and patina for the better with time and use. Every product is individually hand-made to order and slotted in frequent production batches; lead time is determined once order is confirmed. Recommended bulb LED 60 Watt Equivalent G16 Globe 2700k Dimmable” included. LED Bulb only. E26 keyless socket. Not suitable for damp locations. UL certification, as well as custom sizing and configurations are available upon request.



ADAM OTLEWSKI



SERIES 04 FLOOR LAMP

Solid machined brass and goatskin parchment shade with ultrasuede trim, hand-dyed braided cotton cord. Adjustable height from 38"H to 63"H. Allen key included for loosening central clamping mechanism. Goatskin parchment is an excellent diffuser of light and is naturally figured and textured, similar to the surface of the moon.

8" Dia. Base, 38"-63"H, Shade 7" Dia. x 6"H

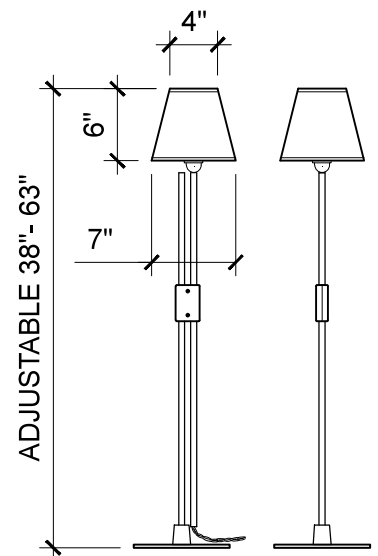
All material finishes are living finishes: they will change and patina for the better with time and use. Every product is individually hand-made to order and slotted in frequent production batches; lead time is determined once order is confirmed.

Recommended bulb LED 60 Watt Equivalent G16 Globe 2700k Dimmable" included. LED Bulb only.

E26 socket with single turn key.

Not suitable for damp locations.

UL certification, as well as custom sizing and configurations are available upon request.



ADAM OTLEWSKI

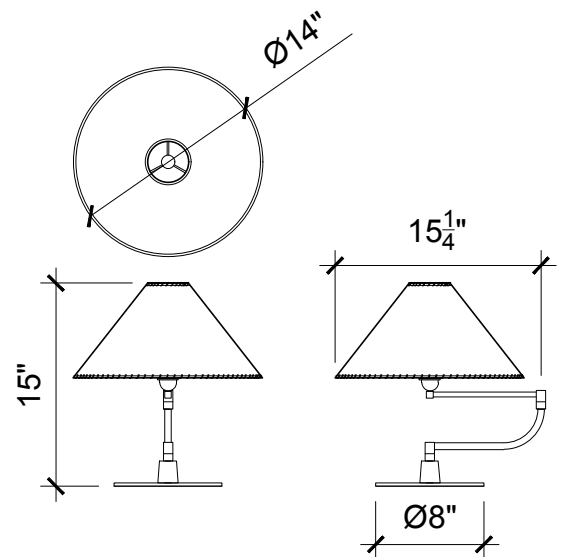


SERIES 04 PIVOT-ARM DESK LAMP

Solid machined brass and goatskin parchment shade with hand-dyed braided cotton cord. Adjustable pivot arm. Goatskin parchment is an excellent diffuser of light and is naturally figured and textured, similar to the surface of the moon.

15"H, Shade 14" Dia. x 7"H, Adjustable pivot arm

All material finishes are living finishes: they will change and patina for the better with time and use. Every product is individually hand-made to order and slotted in frequent production batches; lead time is determined once order is confirmed.
Recommended bulb "LED 60 Watt Equivalent G18-1/2 Globe 2700k Dimmable" included. LED bulb only.
E26 socket with single turn key.
Not suitable for damp locations.
UL certification, as well as custom sizing and configurations are available upon request.



ADAM OTLEWSKI

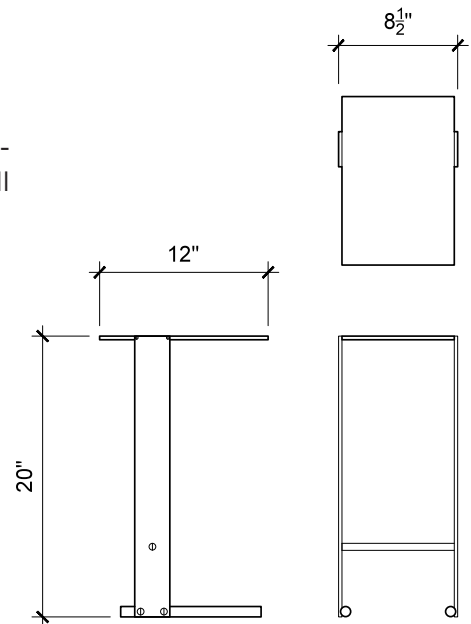


UNTITLED SIDE TABLE 1.0 (RECTANGULAR)

Solid machined brass with recessed hex-head fasteners. Rectangular cantilever design is a play on connections and lightness in a solid metallic form. Petite sized to pull up next to a sofa or reading chair; well suited as a drink tray or book stand.

20"H x 12"D x 8-1/2" W

All material finishes are living finishes: they will change and patina for the better with time and use. Every product is individually hand-made to order and slotted in frequent production batches; lead time is determined once order is confirmed.



ADAM OTLEWSKI

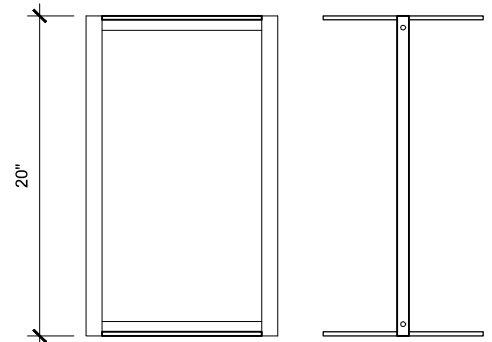
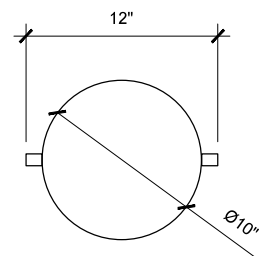


UNTITLED SIDE TABLE 2.0 (ROUND)

Solid machined brass with recessed hex-head fasteners. The suspended lever design is a play on lightness and visual illusion in a solid metallic form. Petite sized to pull up next to a sofa or reading chair; well suited as a drink tray or book stand.

20"H x 12"W x 10" Dia.

All material finishes are living finishes: they will change and patina for the better with time and use. Every product is individually hand-made to order and slotted in frequent production batches; lead time is determined once order is confirmed.



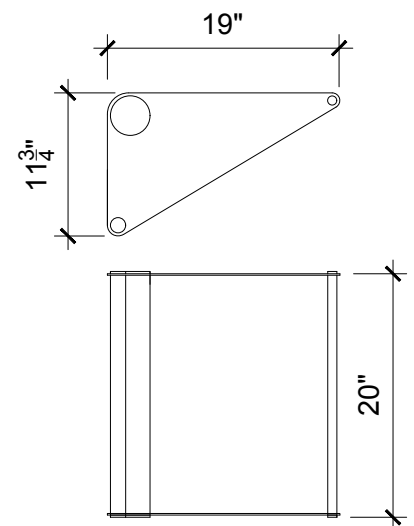
ADAM OTLEWSKI



UNTITLED SIDE TABLE 3.0 (TRIANGULAR)

Solid machined brass with oval head slotted screws.. The triangular design is completely reversible, being fully finished on top and bottom allowing the table to be flipped to whichever side is necessary.

20"H x 19"D x 11-3/4" W



All material finishes are living finishes: they will change and patina for the better with time and use. Every product is individually hand-made to order and slotted in frequent production batches; lead time is determined once order is confirmed.

ADAM OTLEWSKI



Blackened Steel with Satin Lacquer

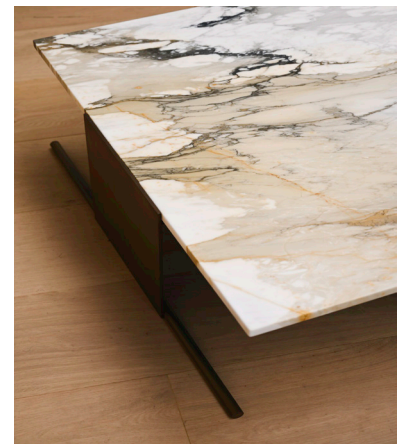


Antique Steel with Matte Lacquer

UNTITLED STEEL TABLES

Larger, more robust realizations of the Untitled Table silhouette can be made from solid welded one-piece steel construction. Suitable for larger scale uses as side tables, cocktail tables and desks. Available in blackened or antique steel, as well as with a stone top.

Customizable to any size or configuration, please inquire with your ideal specification to receive a quote and shop drawing, as well as photos of previous examples.



Antique Steel with Marble Top

ADAM OTLEWSKI



Untited Side Tables 1.0, 2.0 and 3.0 in
polished unlacquered brass

ADAM OTLEWSKI



ABOUT ME

I am a designer and maker based in New York City, working from a newly-refurbished historic factory building in Ozone Park.

I spend a lot of time in museums thinking about the progression of the things we make. Primarily I'm interested in decorative arts, an admittedly unfashionable term in an era of products and commerce, and one that we don't often hear applied to contemporary work. I came to the idea that *instead of aiming for a factory-made appearance, I could leave my hand visible in every object I make*. I use materials and techniques that promote subtle variances, such as hand-dyeing leather, or acid rubbed patina solutions on polished metal. Not always immediately obvious, these choices aim to give depth and character to otherwise pure geometry.

The concept behind my "Series" lighting collections is to establish a set of rules, such as a group of materials or techniques, culminating in one first prototype. Those rules are then applied to a family of objects, each expressing that form with varying sizes or functions, often responding to customers' requests and ideas. My ambition is to create new Series indefinitely. Every piece is individually hand assembled and stamped with a trademark and unique manufacturing number.

I received a Bachelors of Science in Industrial Design from the University of Cincinnati and have worked in many facets of housewares design, residential and commercial interiors, and custom furniture fabrication since 2004. Previous work experience includes design positions in the offices of Thomas O'brien, Martha Stewart, Ochre, Fernando Santangelo, and Billy Cotton.